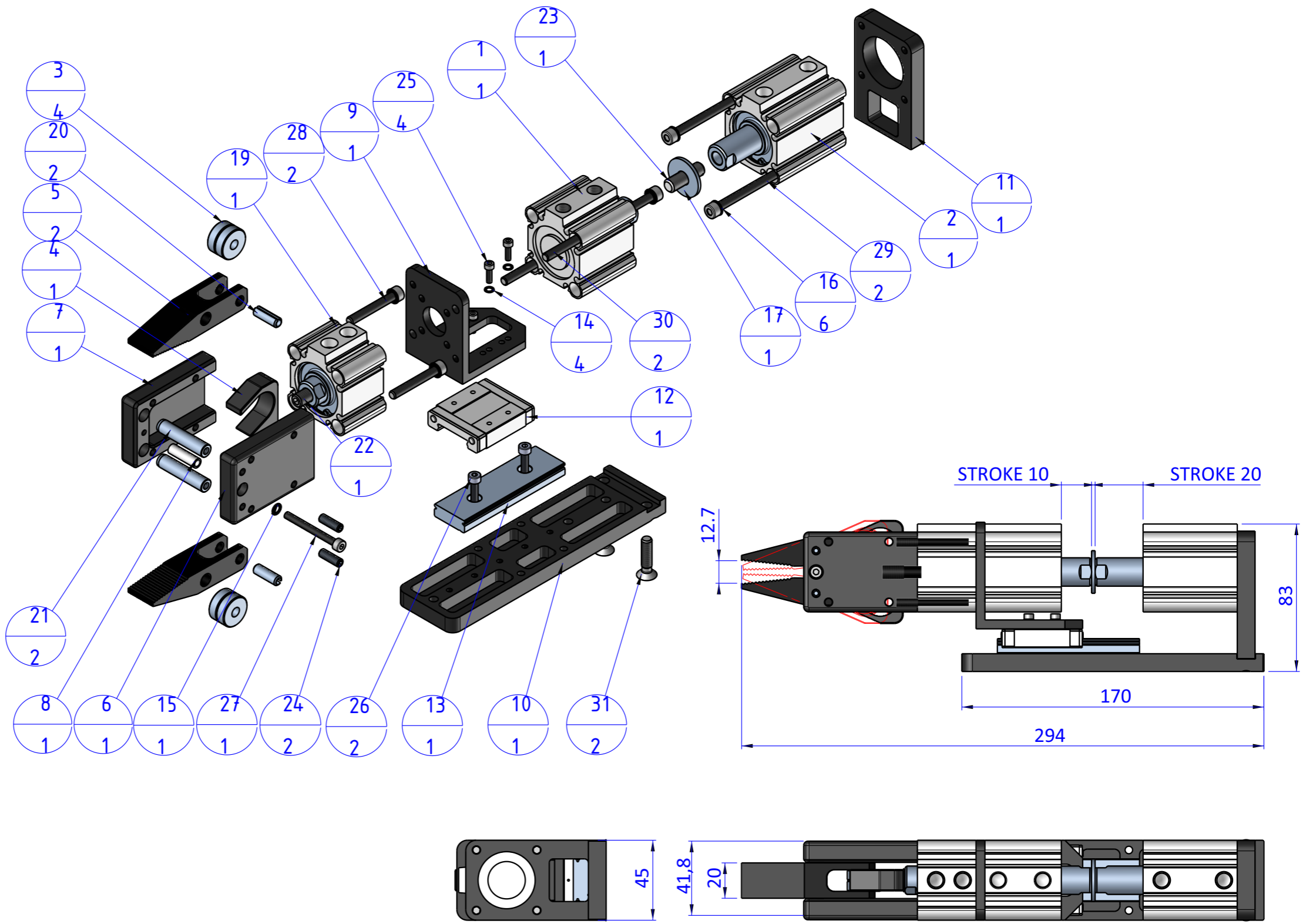



THE PROPERTY OF THE DRAWING IS ESTABLISHED BY LAW. IT IS FORBIDDEN TO PRODUCE OR SHOW IT TO THIRD PART, WITHOUT A WRITTEN AGREEMENT.

Item	Name	Q.ty
1	CA.11.18.009	1
2	CA.11.18.010	1
3	CUS.626Z	4
4	GZ.3225.01	1
5	GZ.3225.02	2
6	GZ.3225.03	1
7	GZ.3225.04	1
8	GZ.3225.05	1
9	GZ.32201025.01	1
10	GZ.32201025.02	1
11	GZ.32201025.04	1
12	HI.MGW12CZ1C	1
13	HI.MGWR12R80	1
14	R.3.SCH	4
15	R.4.SCH	1
16	R.5.SCH	6
17	R.8.LARGA	1
18	R.8.SCH	1
19	SMC.CQ2B32TF-10DZ	1
20	SPE.6X18	2
21	SPFF.8X36	2
22	V.STM8x20	1
23	V.STM8X26	1
24	V.STM5x15	2
25	V.TCE3x10	4
26	V.TCE4x14	2
27	V.TCE4x40	1
28	V.TCE5x35	2
29	V.TCE5x55	2
30	V.TCE5x85	2
31	V.TSP6x25	2



Format A3  
UNI 936-76

 <b>FPS</b> FPSERVICES AUTOMATION		DESIGNED FROM		REVIEW
		FPS Automation		A
GENERAL TOLERANCE		DATE		WEIGHT
UNI - ISO 2768		22/10/2020		0,502kg
CLASSE f		CODE		
		CA.GZ.322010		CA.GZ.322010